



Tel: 02 80655614  
1300 213 589

[www.mir-aus.com](http://www.mir-aus.com)

[www.mir-aus.com.au](http://www.mir-aus.com.au)

[info@mir-aus.com](mailto:info@mir-aus.com)

## INSTALLATION INSTRUCTIONS PREPARING THE ROBUST V.4 CISS



# RISS INK SYSTEM

1. Keep out of reach of children. Seek medical advice if taken.
2. Avoid exposure to direct sunshine and don't keep it at high or freezing temperatures.
3. Avoid Knocks and bumps.
4. Please avoid taking out the cartridges after installing the CIS ink system, where possible.
5. This product is designed to operate within 10-40 degrees Celsius.
6. The CIS ink system has passed strict compatibility check, so we suggest using our ink and cartridges to maintain printer quality.
7. Mixing two different brands of ink into the CISS is not recommended
- 8. Keep the tank and printer at the same level. Do not place the tanks higher or lower than their printer.**

Thank you for purchasing the MIR-AUS Continuous Ink Supply System (CISS). We appreciate your support and will try our best to make your experience with our products a pleasant one. Printing has been a different experience ever since you installed MIR-AUS Continuous Ink Supply system on your own printer. Just imagining being able to print without regard to the ink level in those expensive little cartridges.

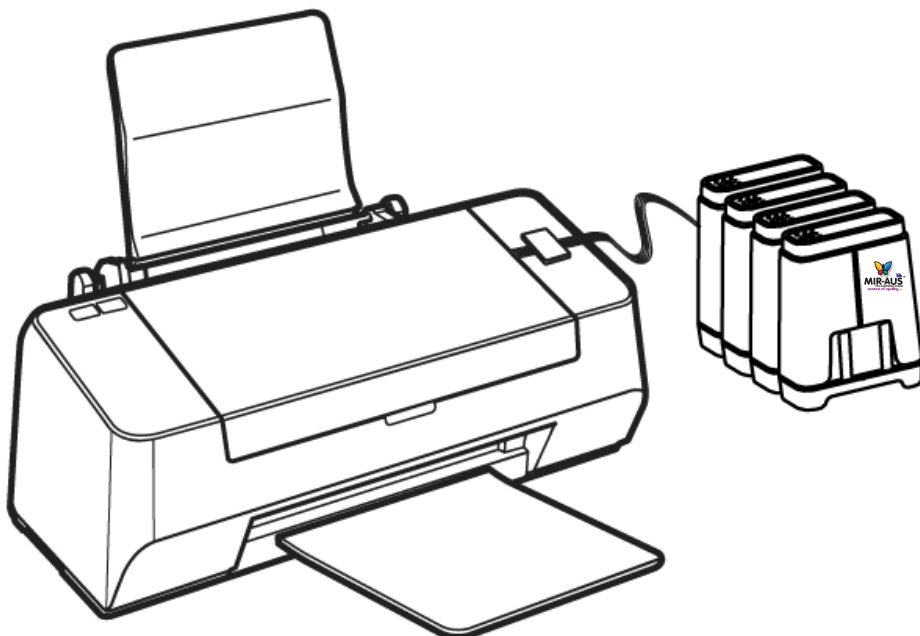
Please take your time installing MIR-AUS Continuous Ink Supply system. Do not remove your old cartridge until you have the MIR-AUS CIS system primed and ready to install (to prevent the drying of heads). In addition, make sure you are getting perfect nozzle checks before installing the MIR-AUS CIS system. The MIR-AUS CIS system won't be able to work properly if the nozzles are previously clogged.

Most people get a perfect nozzle check the first time after installing the MIR-AUS Continuous Ink Supply system; others may need to run two or three cleaning cycles or let the printer sit for a while before they get the perfect results.

Please take a moment to read the important installation and use instructions below.

Your CISS consists of two parts:

- A tank unit containing a number of tanks, each storing ink to feed your cartridges, which will sit along-side your printer.
- A set of cartridges (the number of cartridges will equal to the number of tanks in your tank unit), which will be inserted into your printer.
- An ink pipeline connects the tank unit to the set of cartridges.



Before installing your CISS you must create an appropriate air balance inside each tank. The shipping will have caused the ink to move inside the tanks and you can easily remedy this by following the installation instructions below.

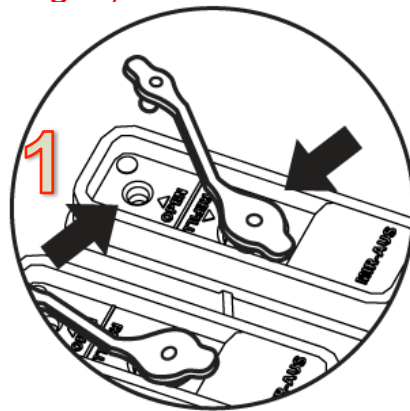
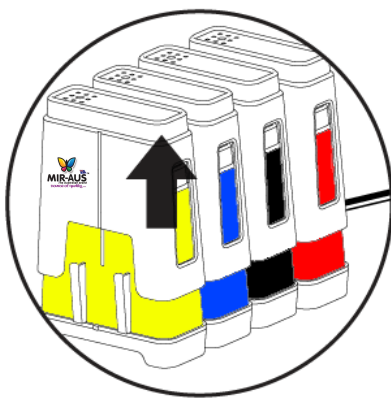


## Preparing the ROBUST V.4 tanks

*( after install the cartridges please do this step )*

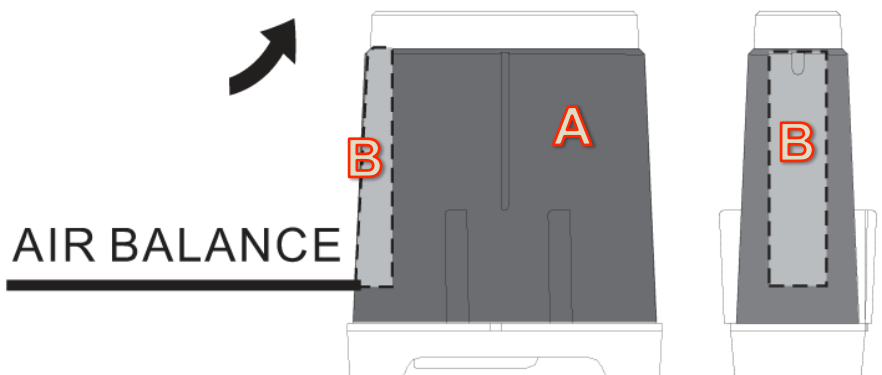
Remove all the small plugs (1) from the tanks.

*(But don't remove the plugs from the cartridges)*



Each ROBUST CISS tank has 2 separate compartments:  
a reserve ink compartment [A] (where ink is stored to be fed into the air balance compartment. This is the wider of the two compartments)  
an air balance compartment [B] (which is always mostly empty. This is the narrower of the two compartments)

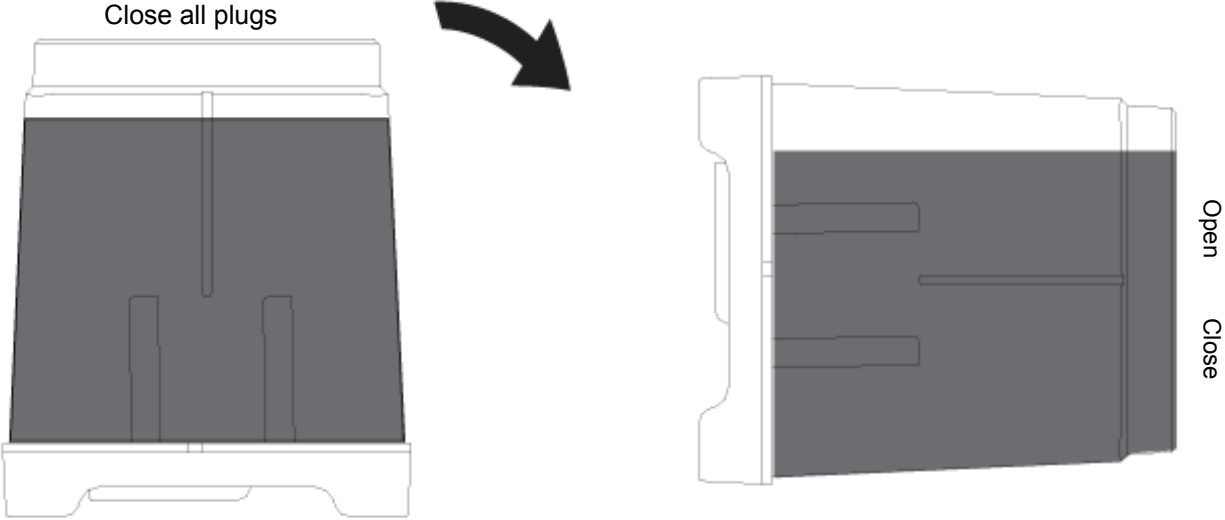
When you first install a CISS unit into your printer (and before using it), you must create an appropriate air balance inside your tank.



## Trouble shooting for CISS ROBUST V.4:

It is very important that there is mostly air in the air balance compartment (so not more than 2cm of ink).

After shipping and handling, if there is more than 2 cm of ink in the air balance compartment, make sure the holes are plugged and sit the unit on its side (reserve ink compartment side down) for five seconds or so to let the ink drain out of the air balance compartment into the reserve ink compartment. See the photos below.

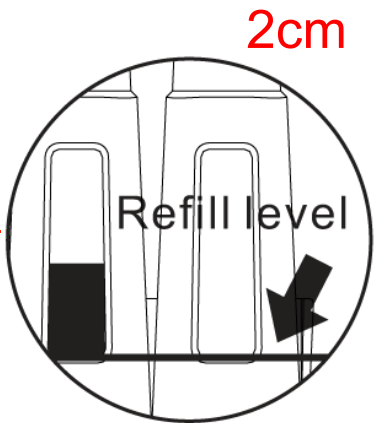


### Notes:

1. your system will automatically find the correct balance of ink for the air balance compartment (to give the CISS the correct air pressure so don't worry about the actual level- it may be between 0.5cm and 1.5cm approximately)

2. after using your CISS for some time please **check the level of the ink** in the reserve ink compartment.

If it is below 2cm it is now time to order more ink and refill the compartment. (check out our website for very inexpensive high quality ink). It is important to keep using the same ink in your system. Adding another brand of ink which mixes with your existing ink in the system can block the printer nozzle.



### Refilling

